

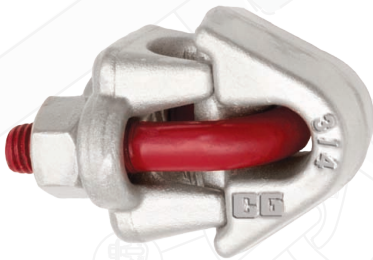
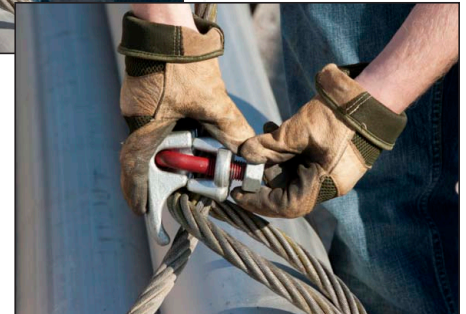
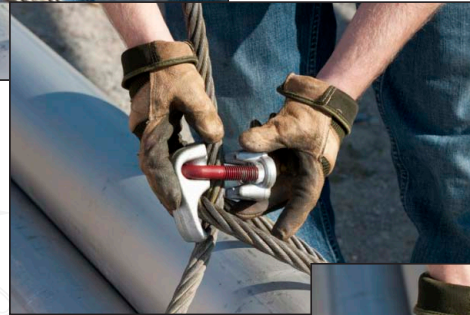
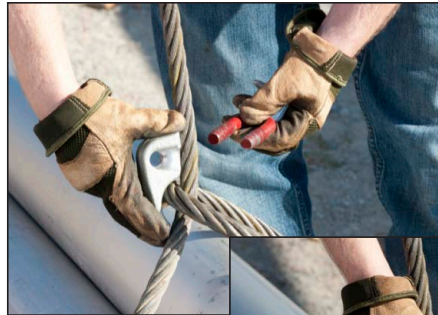
the Crosby® group

Real Life Solutions

Crosby® Bundle Clip



G-460
"Soft Eye"
Bundle Clip



G-461
"Thimble Eye"
Bundle Clip

- The new Crosby Bundle Clip is a great alternative for transporting bundles of pipe and other cylindrical items.
- The design allows the choker hitch of the sling to maintain its position, and the shape of the choked bundle, even after the tension of the load is released.
 - Perfect for "Shore to Ship" and "Ship to Shore" applications
- Allows for quick and easy crane attachment and transfer of load.
- Two versions available
 - For "Soft Eye" slings
 - For "Thimble Eye" slings

Crosby® Bundle Clip



SEE APPLICATION AND WARNING INFORMATION

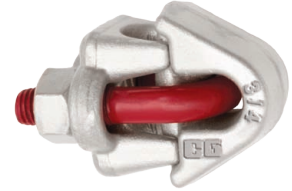
www.thecrosbygroup.com

G-460 Soft Eye Bundle Clip (For use without Thimble)



- Each base and Bundle Clip adapter has a product identification code (pic) for material tracability, the name CROSBY or CG, and a size forged into it.
- Entire clip-galvanized to resist corrosive and rusting action.
- Forged bases and bundle clip adapters.
- All bundle clips are individually bagged or tagged with proper application instructions and warning information.
- Clips have rolled threads.
- Meets or exceeds all requirements of ASME B30.26 including manufacturing I.D. and size requirements. Importantly, these wire rope bundle clips meet material traceability, not addressed by ASME B30.26.
- Bundle Clip Adapter for Soft Eye (G4460) and for Thimble Eye (G4461) kits available.
- Look for the Red-U-Bolt, your assurance of Genuine Crosby Products.

G-461 Thimble Eye Bundle Clip

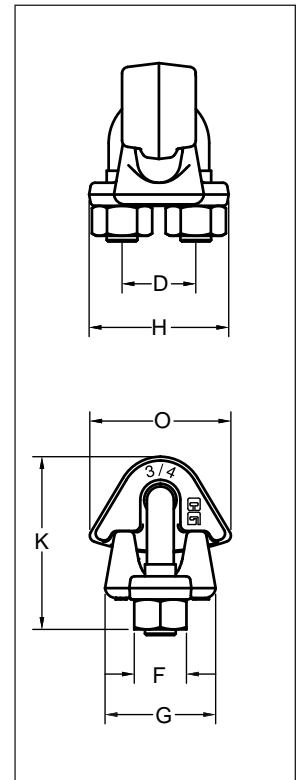
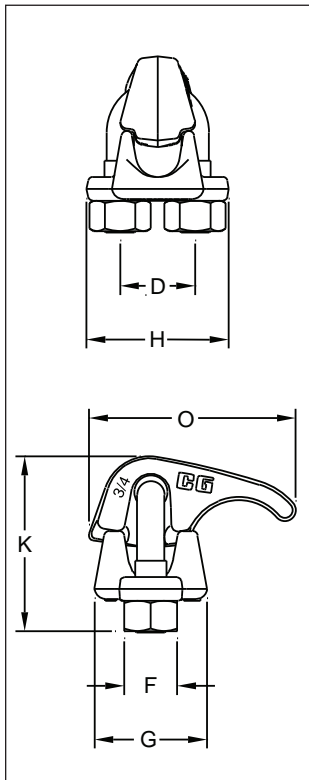


G-460 Soft Eye / G-461 Thimble Eye Bundle Clip Imperial

Rope Size		Bundle Clip Style	Stock No.	Dimensions (in.)						Weight each (lbs.)
(in.)	(mm)			D	F	G	H	K	O	
3/4	18-20	G460	1010509	1.50	1.06	2.25	2.84	3.50	4.13	2.5
3/4	18-20	G461	1010619	1.50	1.06	2.25	2.84	3.50	2.85	2.5

Metric

Rope Size		Bundle Clip Style	Stock No.	Dimensions (mm)						Weight each (kg)
(mm)	(in.)			D	F	G	H	K	O	
18-20	3/4	G460	1010509	38.1	26.9	57.2	72.1	88.9	105	1.1
18-20	3/4	G461	1010619	38.1	26.9	57.2	72.1	88.9	72.4	1.1



the Crosby® group

Crosby U.S.A.

P.O. Box 3128
Tulsa, OK 74101
U.S.A.
Sales Office: (918) 834-4611
Fax: (918) 832-0940
crosbygroup@thecrosbygroup.com
9992295

Crosby Canada

145 Heart Lake Road
Brampton, Ontario L6W 3K3
Canada
Sales Office: (905) 451-9261
Fax: (877) 260-5106
sales@crosby.ca

Crosby Europe

Industriepark Zone B n°26
2220 Heist-op-den-Berg
Belgium
Sales Office: (+32) (0)15 75 71 25
Fax: (+32) (0)15 75 37 64
sales@crosbyeurope.com